

PLEASE CHECK WWW.MOLEX.COM FOR LATEST PART INFORMATION

Part Number: **0500988000**
Status: **Active**
Description: 4.00mm (.157") Pitch Board-In Crimp Terminal 50098, 18-22 AWG, Reel, for 51036 Housing

Documents:

[Drawing \(PDF\)](#) [Product Specification PS-51036-003 \(PDF\)](#)
[Product Specification PS-51036-002 \(PDF\)](#) [RoHS Certificate of Compliance \(PDF\)](#)

General

Product Family Crimp Terminals
 Series 50098
 Crimp Quality Equipment Yes
 Product Name Board-In

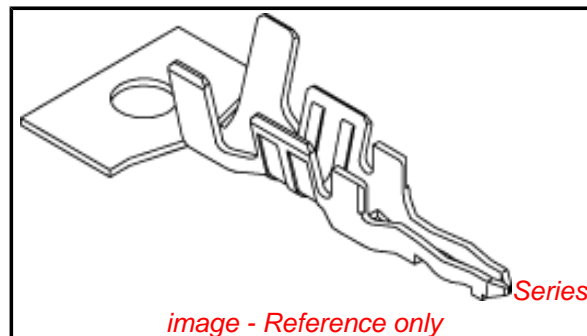
Physical

Gender Male
 Material - Metal Phosphor Bronze
 Material - Plating Mating Tin
 Material - Plating Termination Tin
 Packaging Type Reel
 Plating min: Mating (µin) 36
 Plating min: Mating (µm) 0.90
 Plating min: Termination (µin) 36
 Plating min: Termination (µm) 0.90
 Termination Interface: Style Crimp or Compression
 Wire Insulation Diameter 1.80-2.60mm (.071-.102")
 Wire Size AWG 18, 20, 22
 Wire Size mm² N/A

Material Info

Reference - Drawing Numbers

Product Specification PS-51036-002, PS-51036-003, RPS-51036-001, RPS-51036-002, RPS-51036-003
 Sales Drawing SD-50098-8*00



EU RoHS

ELV and RoHS Compliant
REACH SVHC
Contains SVHC: No
Halogen-Free Status
Halogen-Free

China RoHS



Need more information on product environmental compliance?

Email productcompliance@molex.com
 For a multiple part number RoHS Certificate of Compliance, [click here](#)

Please visit the [Contact Us](#) section for any non-product compliance questions.

Search Parts in this Series

50098Series

Use With

51036

Application Tooling | FAQ

Tooling specifications and manuals are found by selecting the products below. Crimp Height Specifications are then contained in the Application Tooling Specification document.

Global

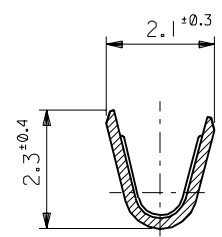
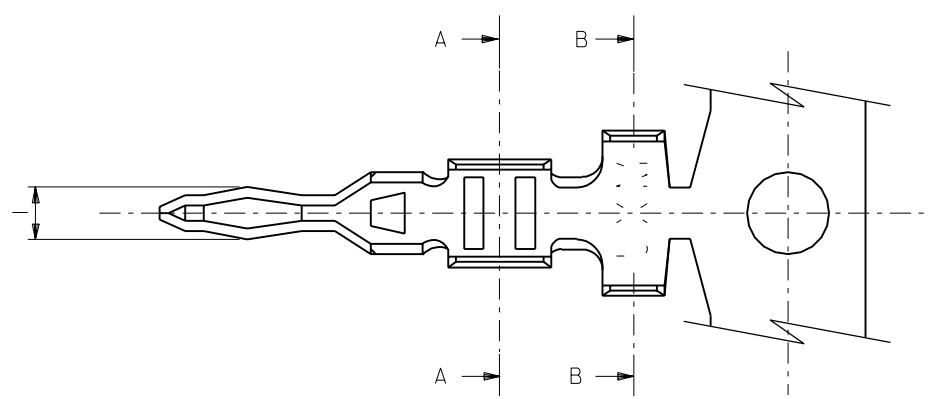
Description	Product #
FineAdjust™ Applicator, 18-22 AWG	<u>0638639000</u>

Japan

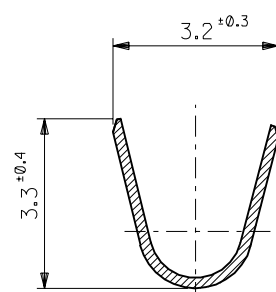
Description	Product #
Applicator for M211A Bench Press, 18-22 AWG, for 50098 Crimp Terminal	<u>0571083000</u>

This document was generated on 04/15/2010

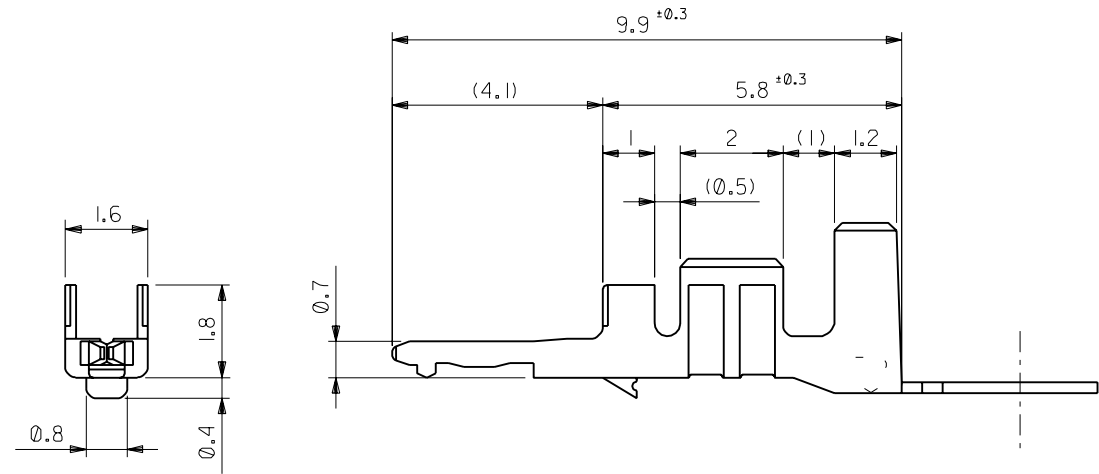
PLEASE CHECK WWW.MOLEX.COM FOR LATEST PART INFORMATION



断面 A-A
SECT. A-A



断面 B-B
SECT. B-B



50098-8100	バラ状
50098-8000	連鎖状
ENG.NO.	形状

注記
NOTE

- 適合ハウジング: 51036-***00
APPLICABLE HOUSING: 51036-***00

材料 MATERIAL	リン青銅(錫メッキ) PHOSPHOR BRONZE t=0.203
仕上げ FINISH	—
適用電線範囲 WIRE RANGE	AWG #22 ~ 18 AVS 0.15 ~ 0.85
被覆外径 INS. RANGE	φ 1.8 ~ 2.6
DRAWN BY	CHK'D BY
K.KITA	M.SAKANO
APP'D BY	尺 度
M.ENOMOTO	SCALE 10:1

molex MOLEX-JAPAN CO.,LTD. 日本モレックス株式会社	
REVISE ONLY ON CAD SYSTEM	
TITLE 名称	
BOARD IN CONNECTOR CRIMP PIN	
DWG. NO.	REV
SD-50098-8*00	C

角度 ANGLE	±3°
30 以上 OVER	+0.3
10 以上 OVER 30 未満 UNDER	+0.25
10 未満 UNDER	+0.2
一般公差 GENERAL TOLERANCES	

記号 LTR	変更内容 REVISION RECORD	DR. CHK.	日付 DATE
C	REDRAWN	K.K M.S	%/06/28